

EMBEDDED EDGE (A-TYPE)

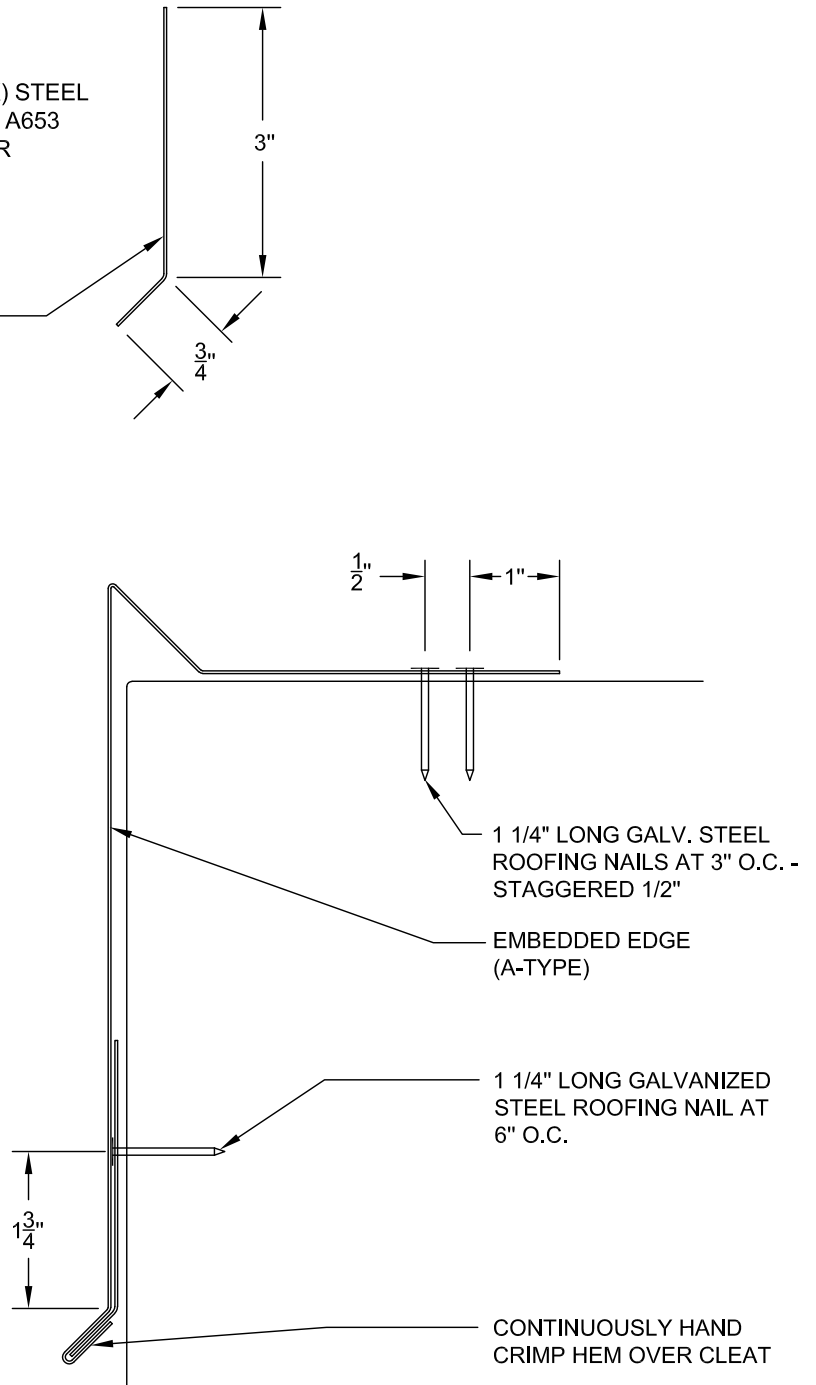
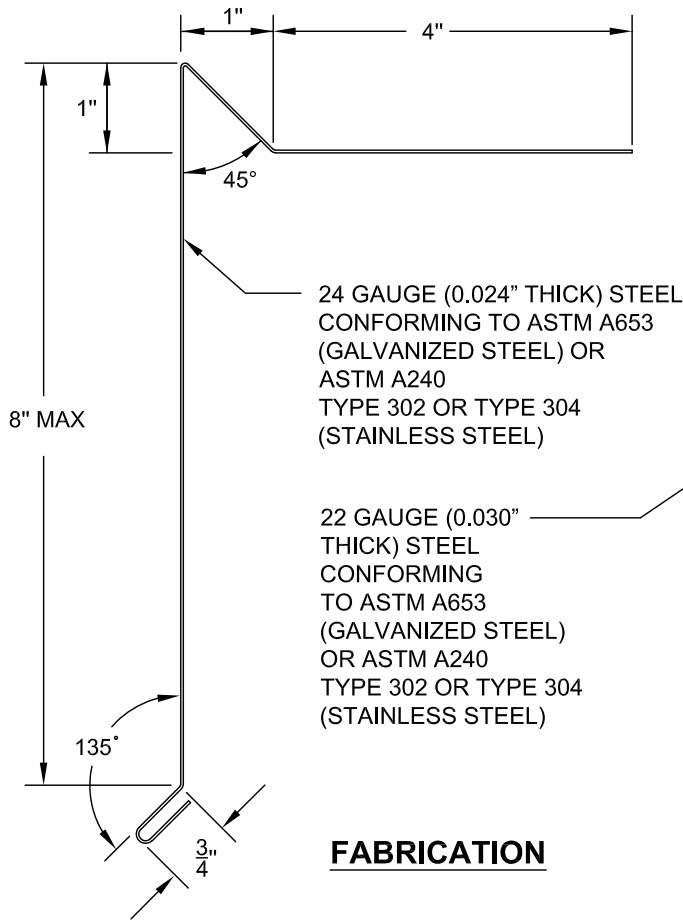
- 24 GA. STEEL
- 22 GA. STEEL CLEAT
- CONTINUOUS FRONT FACE CLEAT

ANSI/SPRI ES-1
TESTED RESISTANCE

210 LBS./SQ. FT.

UL-25

10/30/15



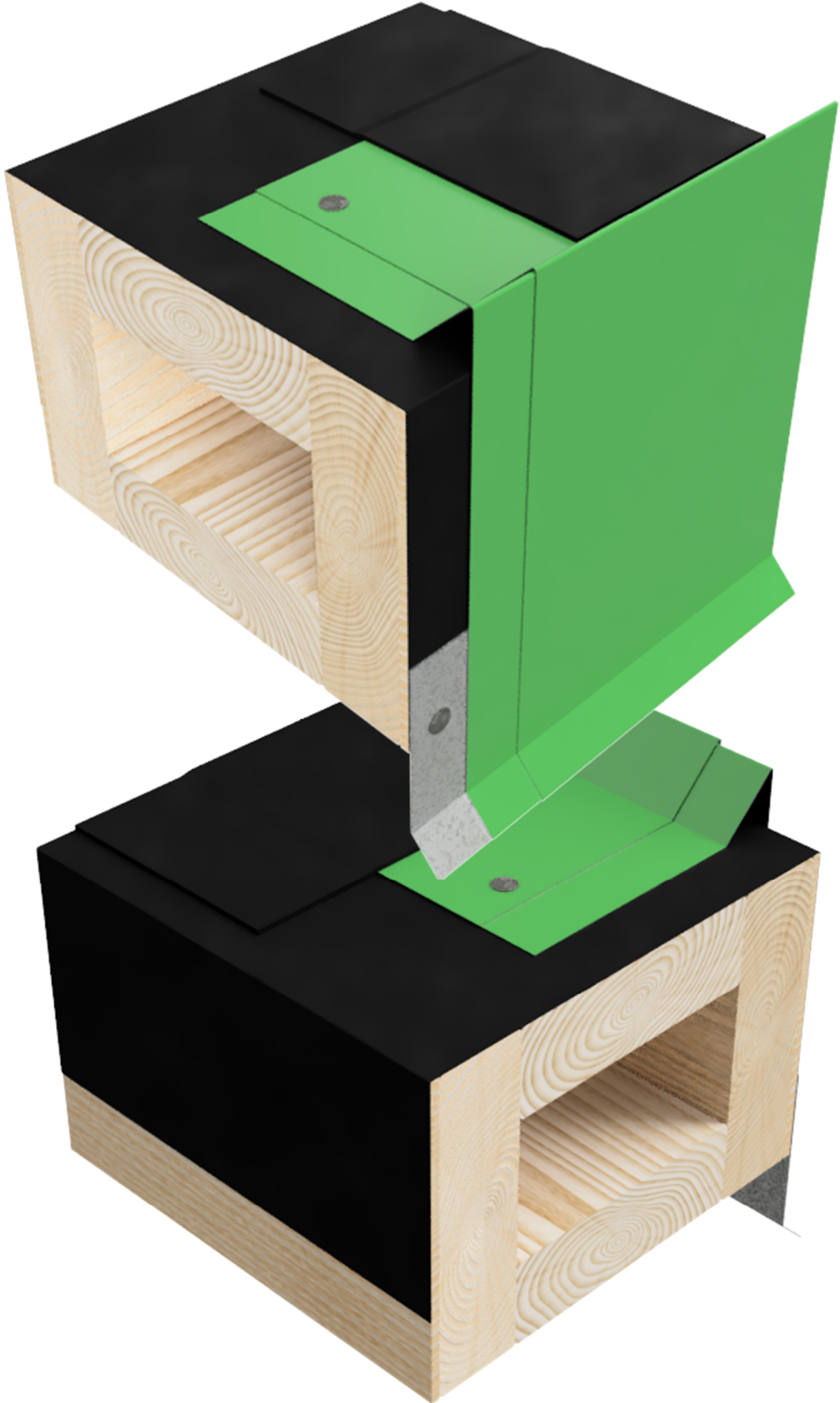


1515 Lake Wheeler Rd
Raleigh NC 27603
919-256-2270



NATIONAL ROOFING CONTRACTORS ASSOCIATION

THE NRCA ROOFING MANUAL CONSTRUCTION DETAIL EE-1	EMBEDDED EGDE (A-TYPE) <ul style="list-style-type: none"> • 24 GA. STEEL • 22 GA. STEEL CLEAT • CONTINUOUS FRONT FACE CLEAT 	ANSI/EPRI ES-1 TESTED RESISTANCE	UL-25
		210 LBS./SQ. FT.	10/30/15



Peak Metal Products is an Authorized
Fabricator of ANSI/SPRI ES-1 UL
Approved Edge Metal Products

Always Good Work

Peak Metal is a Division of
Baker Roofing Company

