

RAISED PERIMETER EDGE (FASCIA CAP)

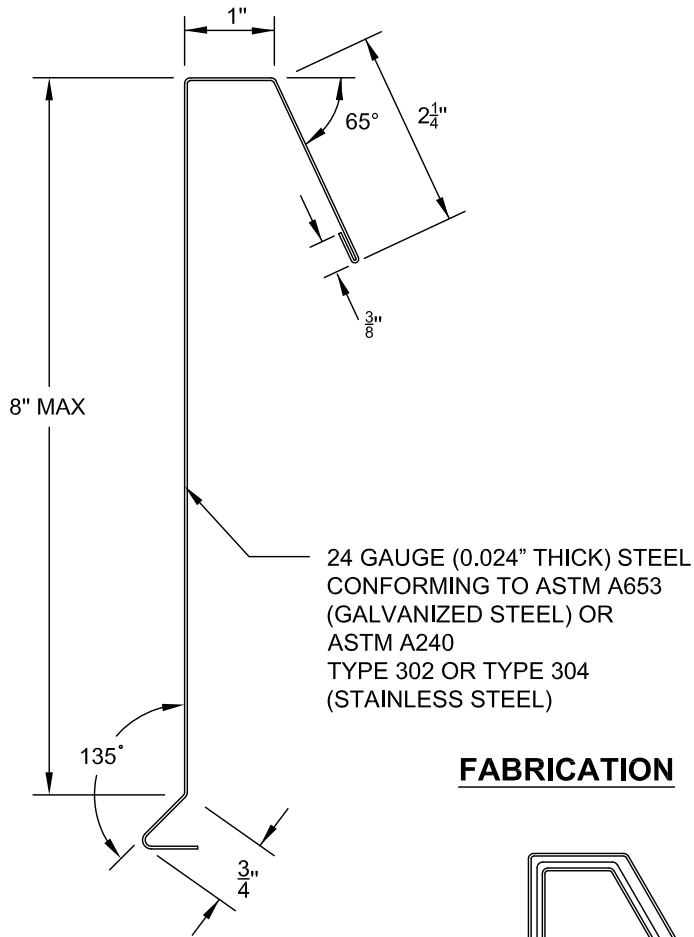
- 24 GA. STEEL
- 22 GA. STEEL CANT

ANSI/SPRI ES-1
TESTED RESISTANCE

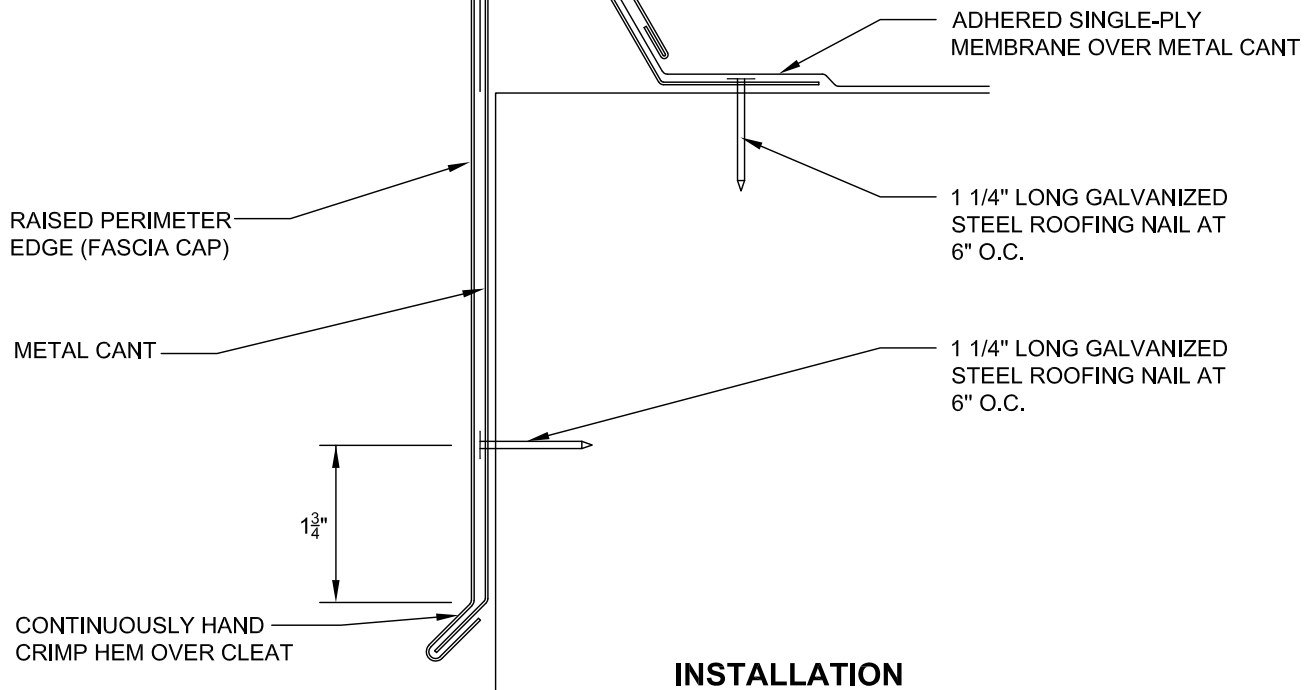
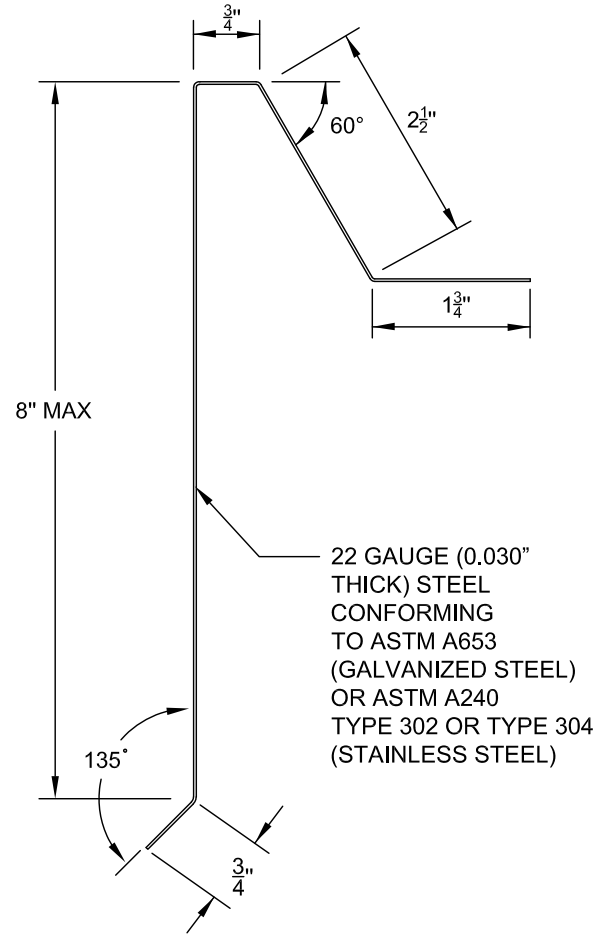
190 LBS./SQ. FT.

UL-36

10/30/15



FABRICATION



INSTALLATION

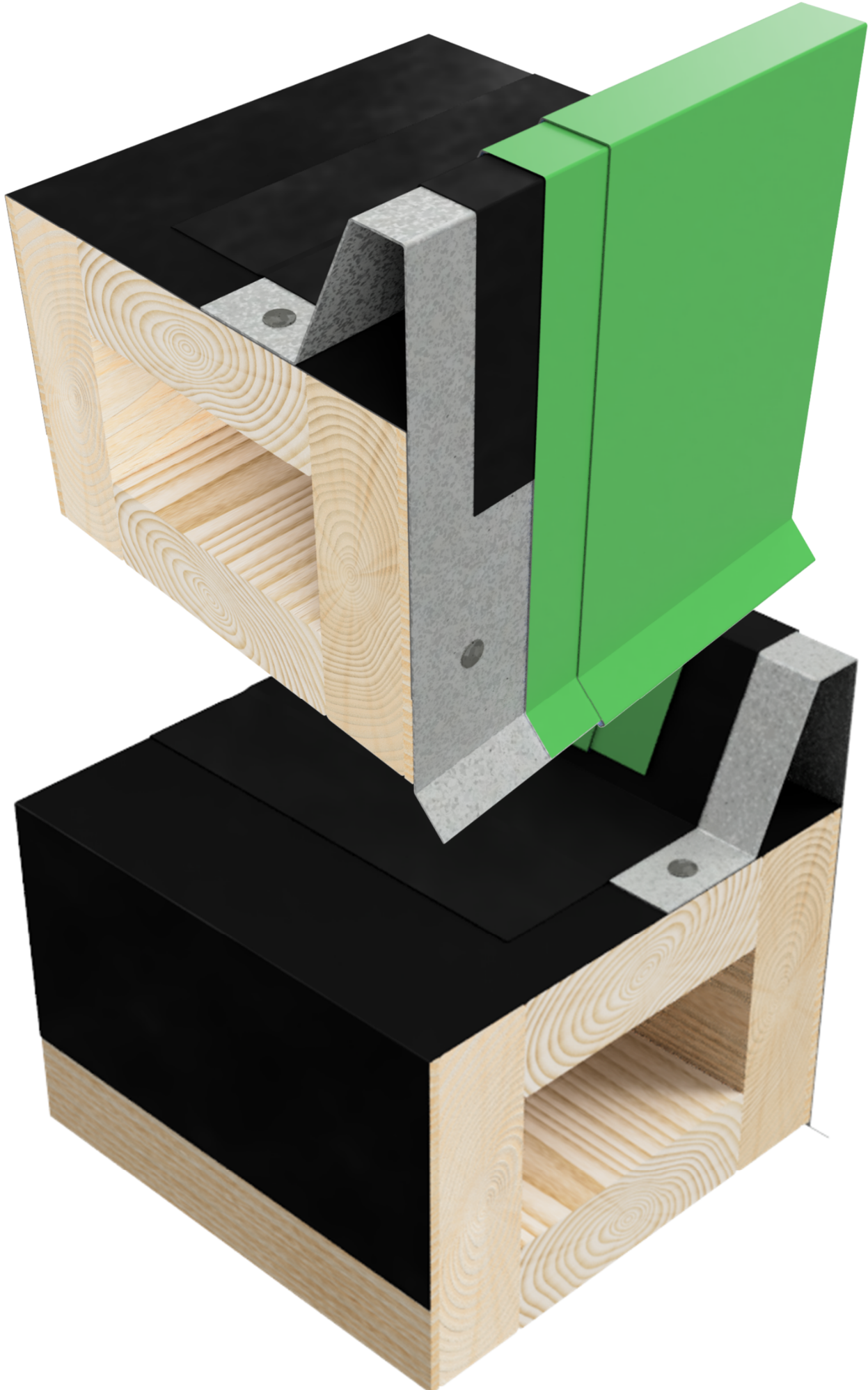


1515 Lake Wheeler Rd
Raleigh NC 27603
919-256-2270



NATIONAL ROOFING CONTRACTORS ASSOCIATION

THE NRCA ROOFING MANUAL CONSTRUCTION DETAILS	RAISED PERIMETER EDGE (FASCIA CAP) <ul style="list-style-type: none"> • 24 GA. STEEL • 22 GA. CANT 	ANSI/EPRI ES-1 TESTED RESISTANCE	UL-36
		190 LBS./SQ. FT.	10/30/15



Peak Metal Products is an Authorized
Fabricator of ANSI/SPRI ES-1 UL
Approved Edge Metal Products

Always Good Work

Peak Metal is a Division of
Baker Roofing Company

